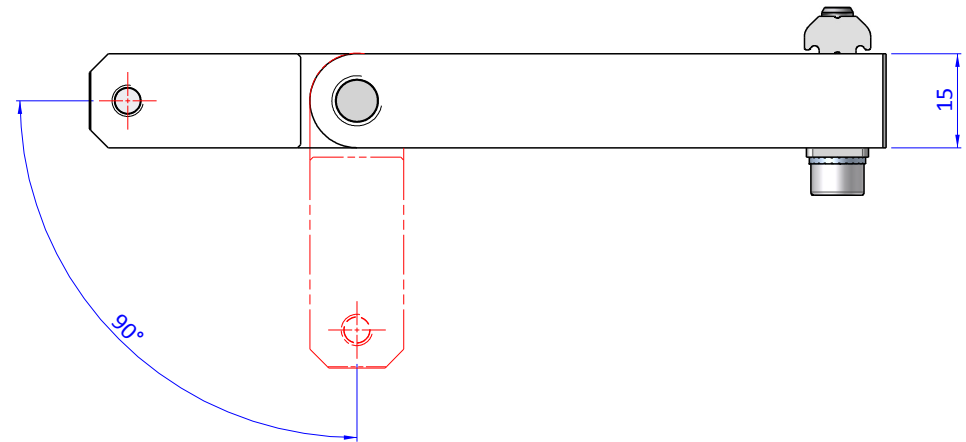
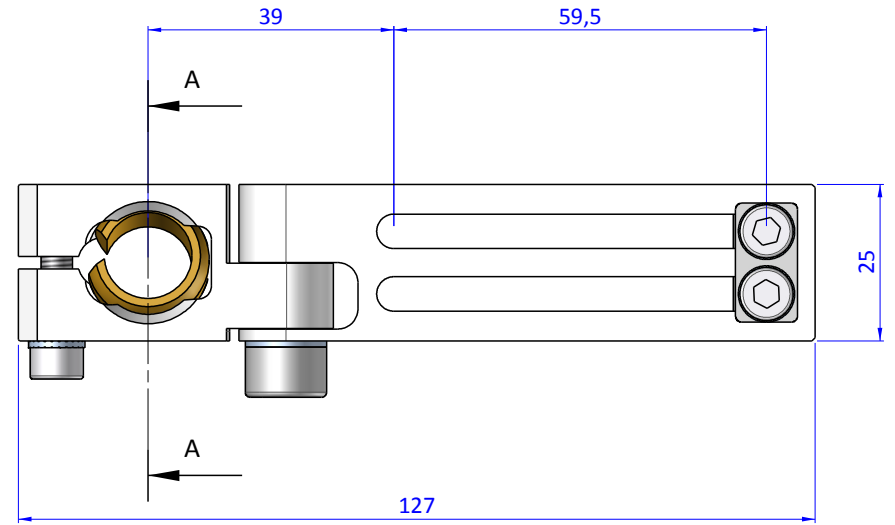
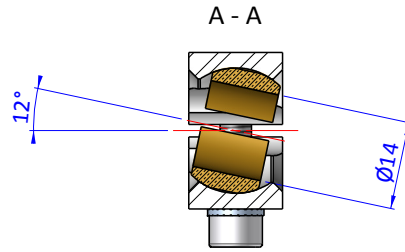
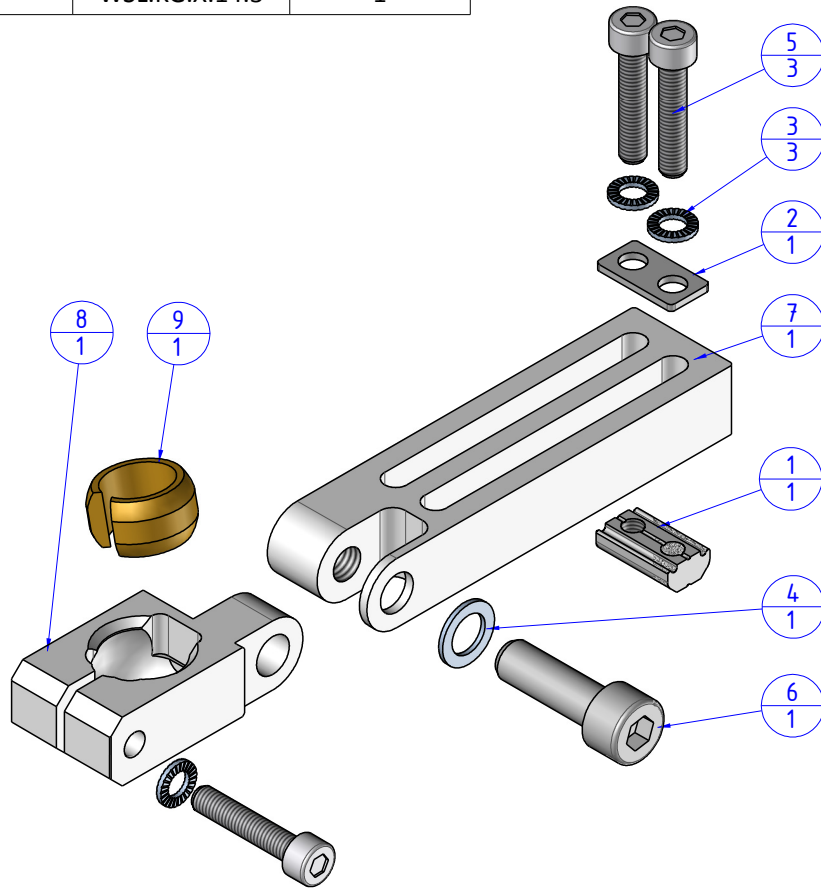


THE PROPERTY OF THE DRAWING IS ESTABLISHED BY LAW. IT IS FORBIDDEN TO PRODUCE OR SHOW IT TO THIRD PARTY, WITHOUT A WRITTEN AGREEMENT.

Item	Name	Q. ty
1	CA.GWP.5.10	1
2	R.05.10	1
3	R.5.SCH	3
4	R.8.SCH	1
5	VT.CE5x25	3
6	VT.CE8x25	1
7	WSL.KG.X.14.1	1
8	WSL.KG.X.14.2	1
9	WSL.KG.X.14.3	1



Format A3

UNI 936-76

		DESIGNED FROM	REVIEW
		FP SERVICES	A / 16
GENERAL TOLERANCE	DESCRIPTION	DATE	WEIGHT
UNI - ISO 2768	CA.WSL.KG.X.14	16/11/2018	0,117kg
CLASSE f		CODE	CA.WSL.KG.X.14